

Section 1. PRODUCT DESCRIPTION

EXPANSION PLUG WITH COUNTERSUNK HEAD SCREW – KRX

Expansion plug KRX comprises sleeve made of polypropylene and countersunk head screw with protective zinc coating. It is designed for fixing of light-duty interior finish systems, wood members and lightweight installations or mounting clamps on solid substrates. The plug is held firmly in place as the expansion lugs on its outside prevent it from turning once it is placed in the hole. On the inner side sleeves have guide lugs on the entire length to ensure guiding of a screw when being installed.

Types of substrates on which expansion plug KRX can be installed:

- Concrete
- Solid clay brick
- Solid sand-lime brick



PP
polipropylen



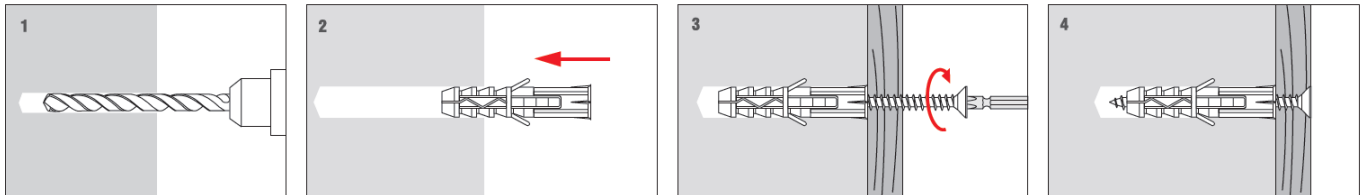
Elementy
klinujące



Expansion plugs hold National Technical Assessment: ITB-KOT-2018/0528 Rev. I

Section 2. METHOD OF INSTALLATION

1. Original expansion plugs delivered by the manufacturer can be used only
2. Before installation identify a substrate in which the plug will be installed and compare loads which the plug will carry to resistance values given in Product Data Sheet or National Technical Assessment
3. Select an adequate length of the plug so that expansion zone is in the construction material of the wall (thickness of member being fixed matches max. usable length of the plug – t_{fix})
4. Use proper method of drilling according to a substrate type (holes in masonry substrate made of autoclaved aerated concrete blocks should be drilled using a drill without impact)
5. Diameter of drilled holes should match diameter of the plugs used
6. Drilled holes in substrates of solid materials should be deeper by min. 10mm compared to the plug anchorage depth
7. Clean the holes in solid materials of drillings with a back and forth motion of the drill at a reduced speed
8. Then insert the plug into a drilled hole, and drive the screw through the element being fixed until it completely penetrates the sleeve (pre-fastening installation)



Section 3. TECHNICAL DATA

Substrate type	RESISTANCE					
	Design pull-out resistance [kN]					
	KRX-6/30	KRX-8/40	KRX-8/50	KRX-10/50	KRX-10/60	KRX-12/60
Concrete C20/25	-	-	0,06	0,06	0,11	0,06
Solid clay brick	-	0,04	0,12	0,04	0,08	0,08
Solid sand-lime brick	-	0,04	0,08	0,04	0,16	0,08

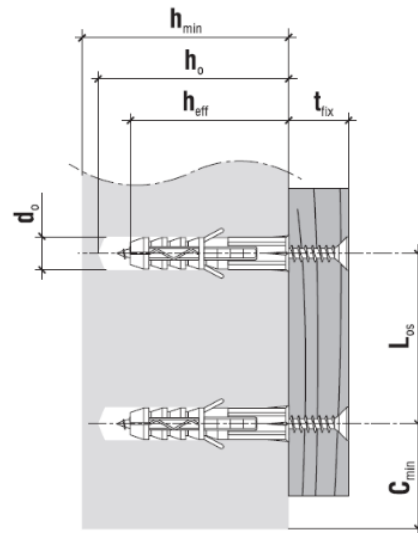
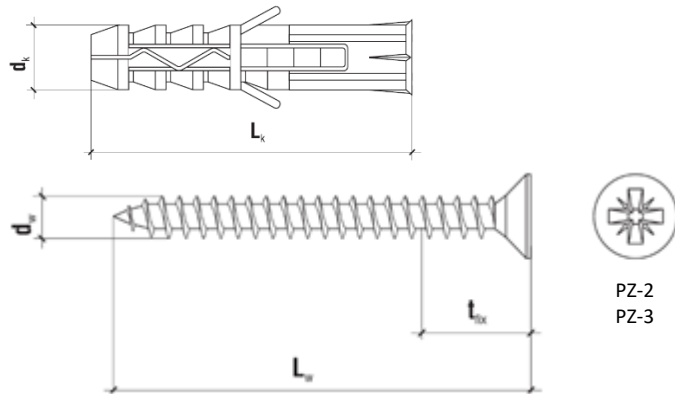
PRODUCT DATA SHEET – KRX

TECHNICAL PARAMETERS		
Parameter	Unit	Value
Plug diameter	d_k [mm]	6/8/10/12
Hole/drill diameter	d_o [mm]	6/8/10/12
Effective anchorage depth	h_{eff} [mm]	30/40/50/60
Drilled hole depth	h_o [mm]	40/50/60/70
Drive type	[-]	PZ-2/PZ-3*
Sleeve material	[-]	PP – polypropylene
Screw material	[-]	Zinc-plated steel
National Technical Assessment	[-]	KOT-2018/0528

INSTALLATION PARAMETERS			
Plug type	Min. substrate thickness	Min. distance from edge	Min. axial distance
	h_{min} [mm]	c_{min} [mm]	L_{os} [mm]
KRX-6/30	45	60	60/90*
KRX-8/40	60	80	80/120*
KRX-8/50, KRX-10/50	75	100	100/150*
KRX-10/60, KRX-12/60	90	120	120/180*

*for concrete substrate/other substrates

*for KRX-10x60 and KRX-12



SELECTION TABLE					
Product code	Sleeve diameter and length	Screw diameter and length	Max. usable length	Drive type	Number of pieces in a box
	$d_k \times L_k$ [mm]	$d_w \times L_w$ [mm]	t_{fix} [mm]	[-]	[pcs]
KRX-063530	6x30	3,5x30	1	PZ-2	200
KRX-063535	6x30	3,5x35	5	PZ-2	200
KRX-063540	6x30	3,5x40	10	PZ-2	200
KRX-063550	6x30	3,5x50	20	PZ-2	200
KRX-084040	8x40	4,0x40	1	PZ-2	100
KRX-084045	8x40	4,0x45	5	PZ-2	100
KRX-084050	8x40	4,0x50	10	PZ-2	100
KRX-084060	8x40	4,0x60	20	PZ-2	100
KRX-085050	8x50	5,0x50	1	PZ-2	100
KRX-085060	8x50	5,0x60	10	PZ-2	100
KRX-085070	8x50	5,0x70	20	PZ-2	100
KRX-085080	8x50	5,0x80	30	PZ-2	100
KRX-0850100	8x50	5,0x100	50	PZ-2	100
KRX-105050	10x50	5,0x50	1	PZ-2	100
KRX-105060	10x50	5,0x60	10	PZ-2	100
KRX-105070	10x50	5,0x70	20	PZ-2	100
KRX-105080	10x50	5,0x80	30	PZ-2	100
KRX-1050100	10x50	5,0x100	50	PZ-2	100
KRX-106060	10x60	6,0x60	1	PZ-3	100
KRX-106070	10x60	6,0x70	10	PZ-3	100
KRX-106080	10x60	6,0x80	20	PZ-3	100
KRX-1060100	10x60	6,0x100	40	PZ-3	100
KRX-1060120	10x60	6,0x120	60	PZ-3	100
KRX-126060	12x60	6,0x60	1	PZ-3	100
KRX-126070	12x60	6,0x70	10	PZ-3	100
KRX-126080	12x60	6,0x80	20	PZ-3	100
KRX-1260100	12x60	6,0x100	40	PZ-3	100
KRX-1260120	12x60	6,0x120	60	PZ-3	100

Section 4. REMARKS

1. All previous versions of this Product Data Sheet shall cease to be valid
2. Data given in this Product Data Sheet is in accordance with current knowledge and published in good faith. KLIMAS Sp. z o.o. is not responsible for correctness and quality of the fixing if recommendations regarding method of use and installation are not followed.